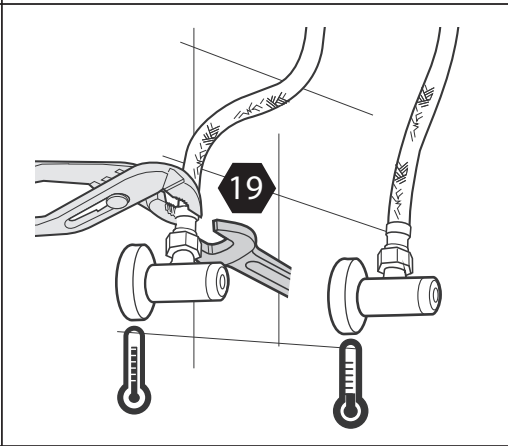
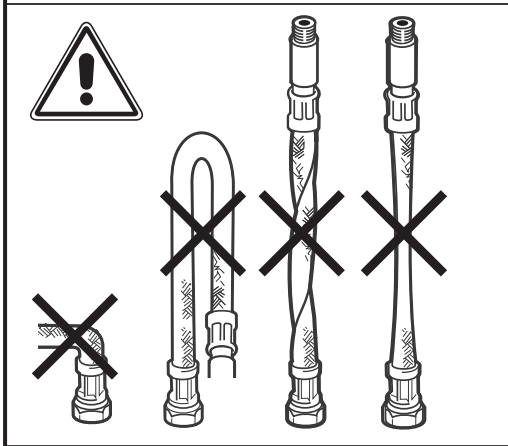
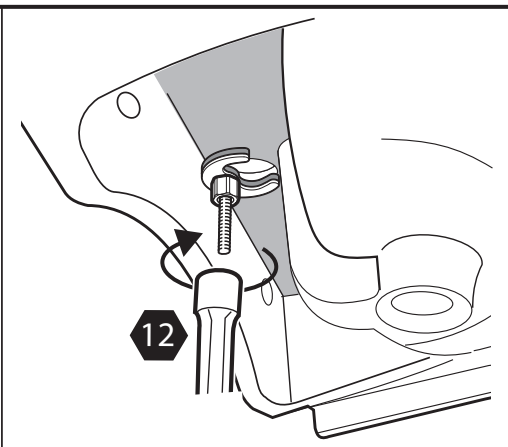
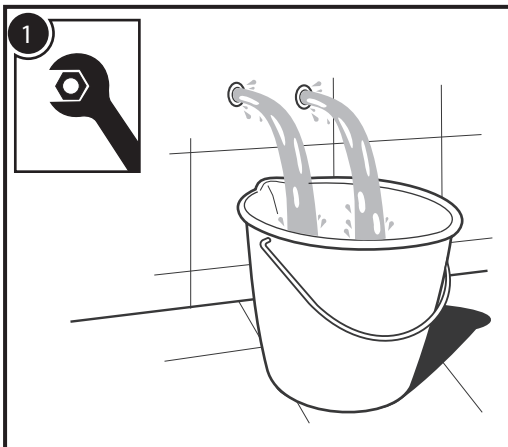




**KANJI BLACK**

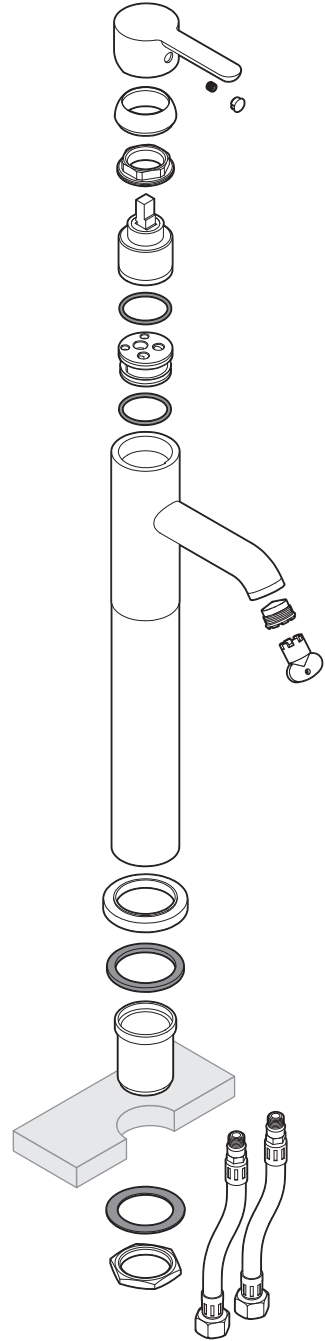
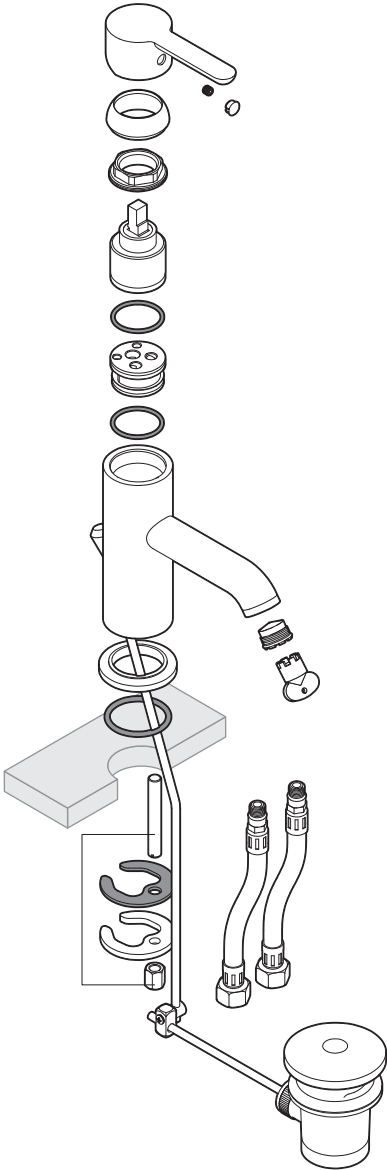
MANUAL DE USUARIO

BATH & KITCHEN

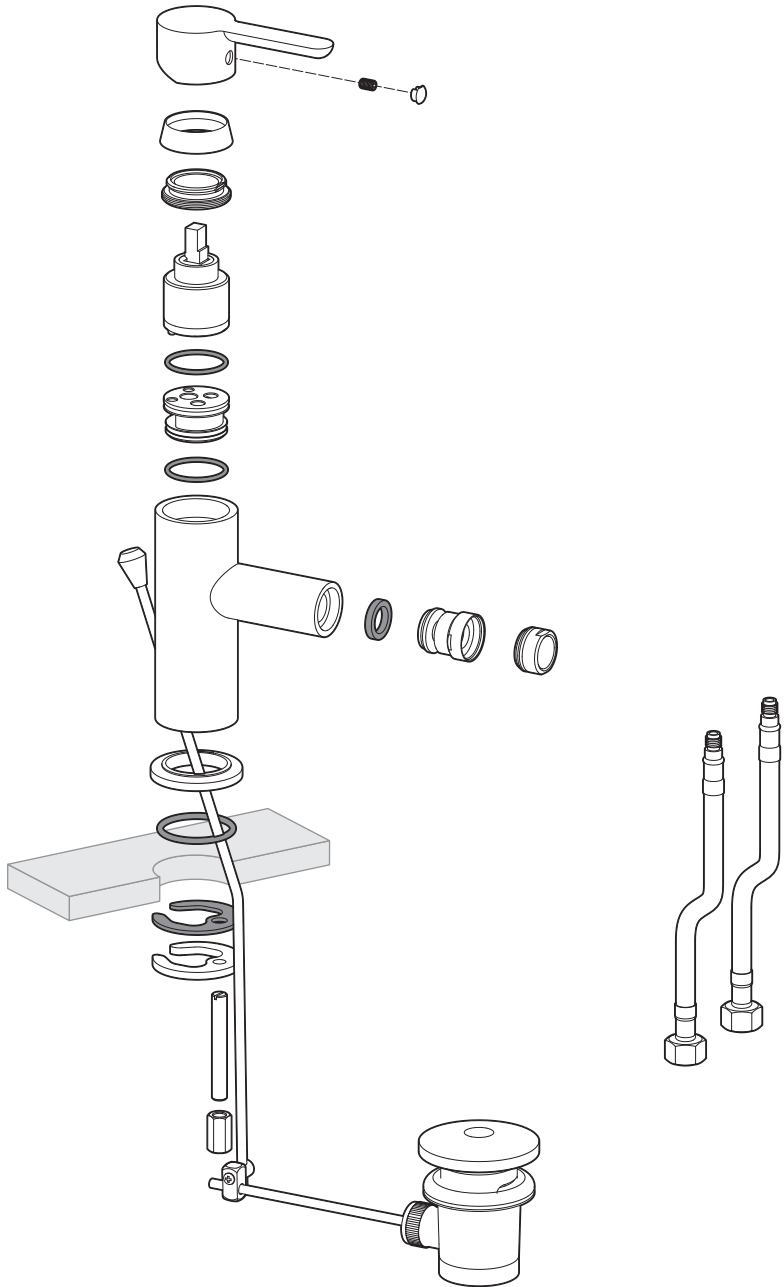


|              |       |                |          |
|--------------|-------|----------------|----------|
| P            | P bar | MAX 10         |          |
| P            | P bar | 5 MAX<br>MIN 1 | 3<br>2   |
| T            | °C    | 80 MAX.        | 65<br>50 |
| Q<br>(3 bar) | l/min | 5              | 20       |

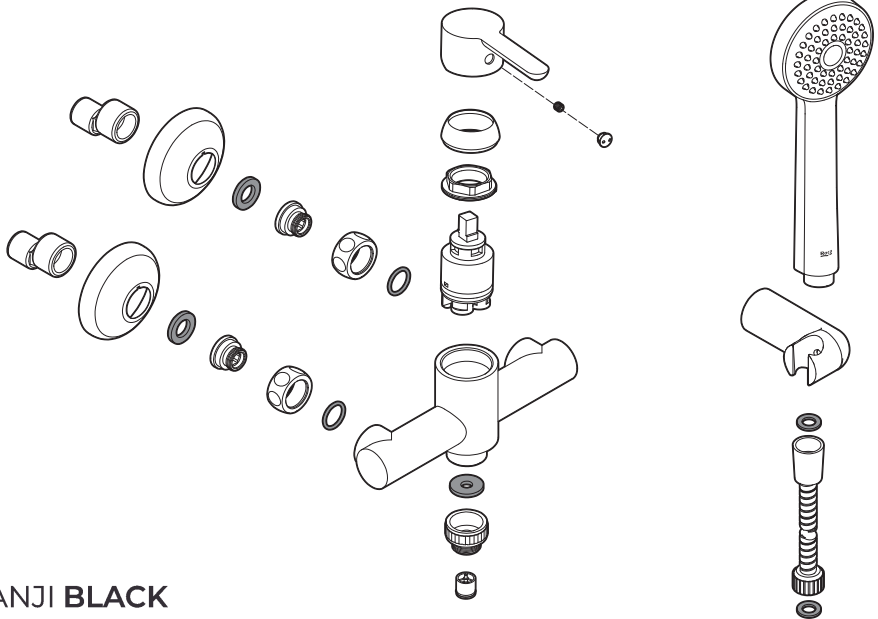
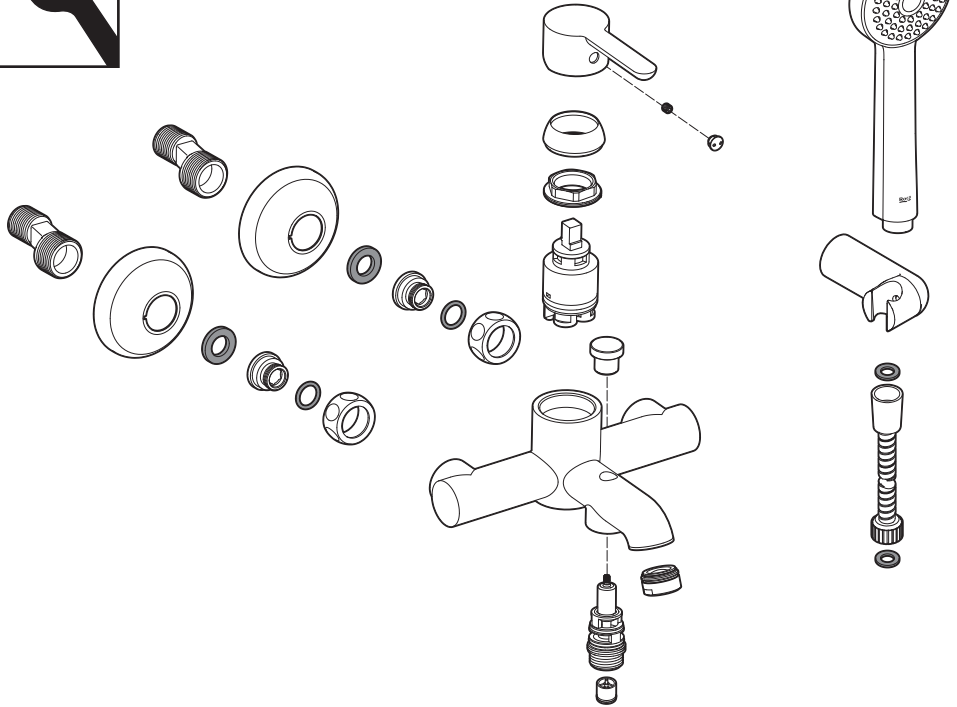
2



3



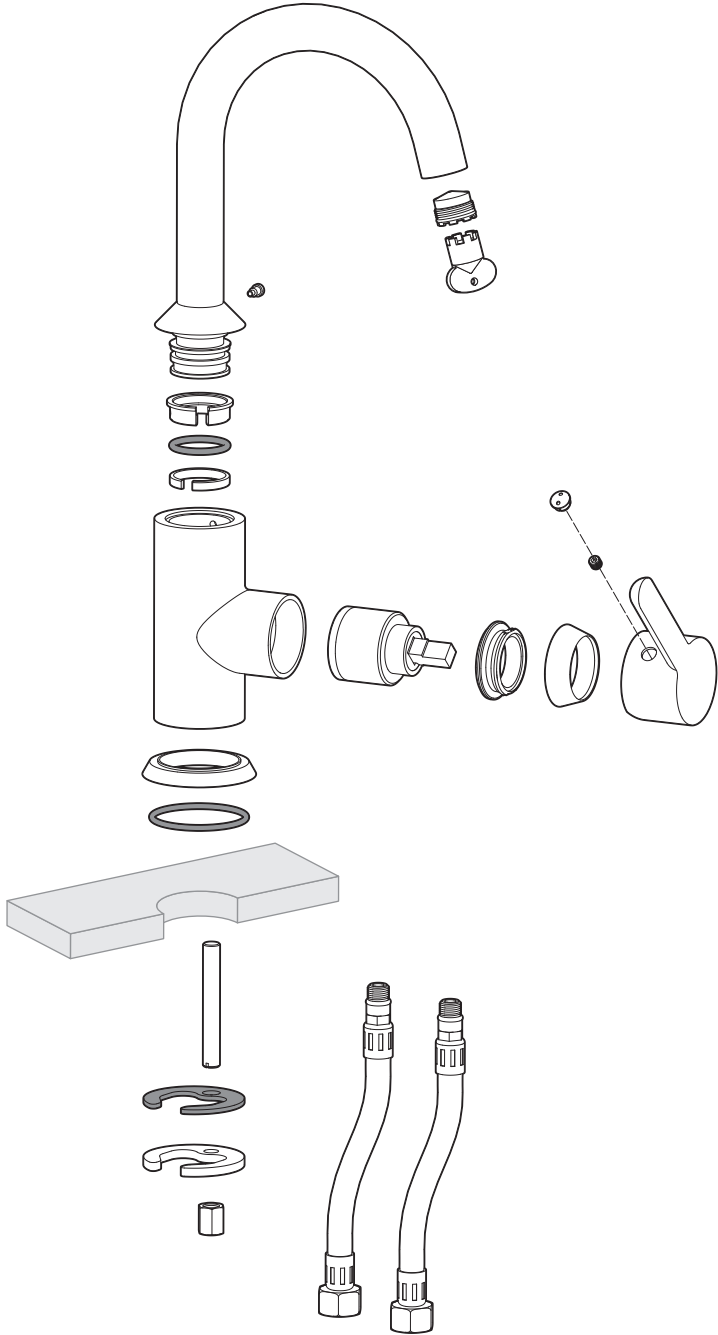
4



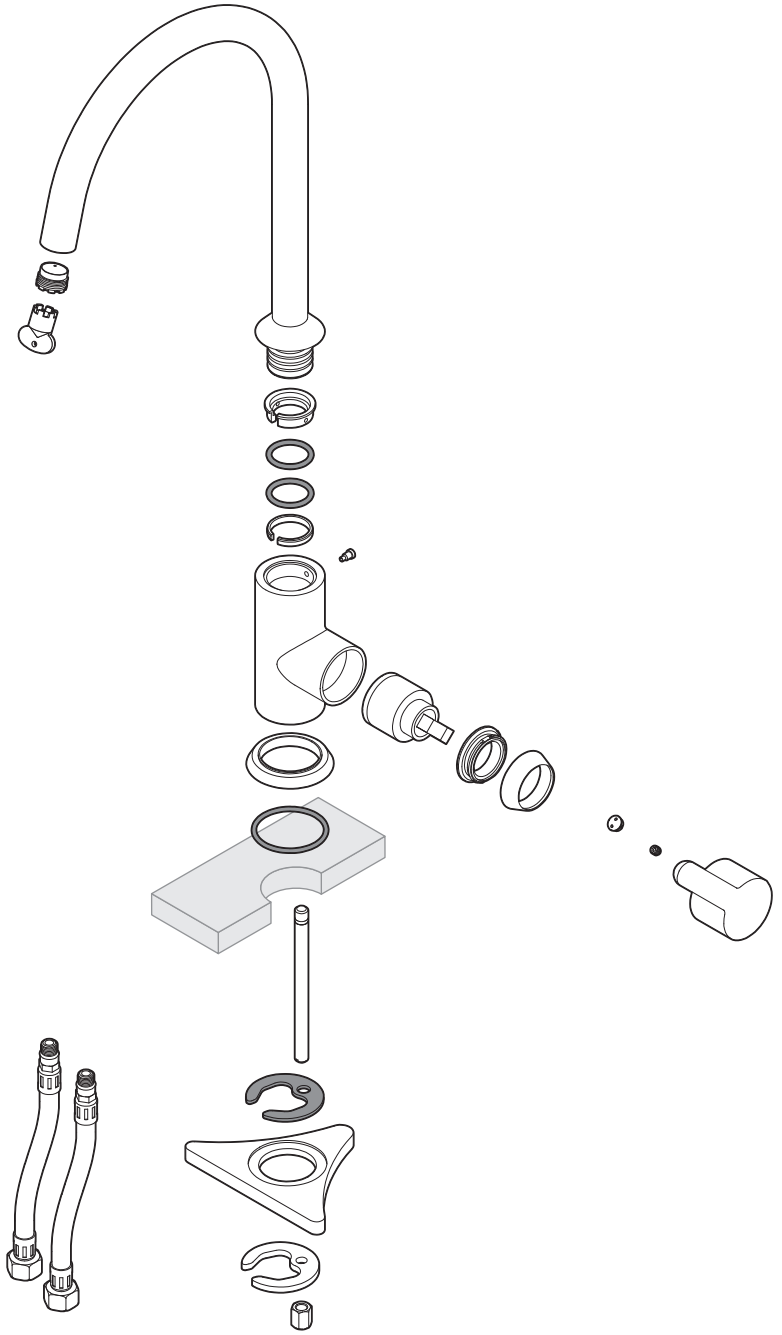
5

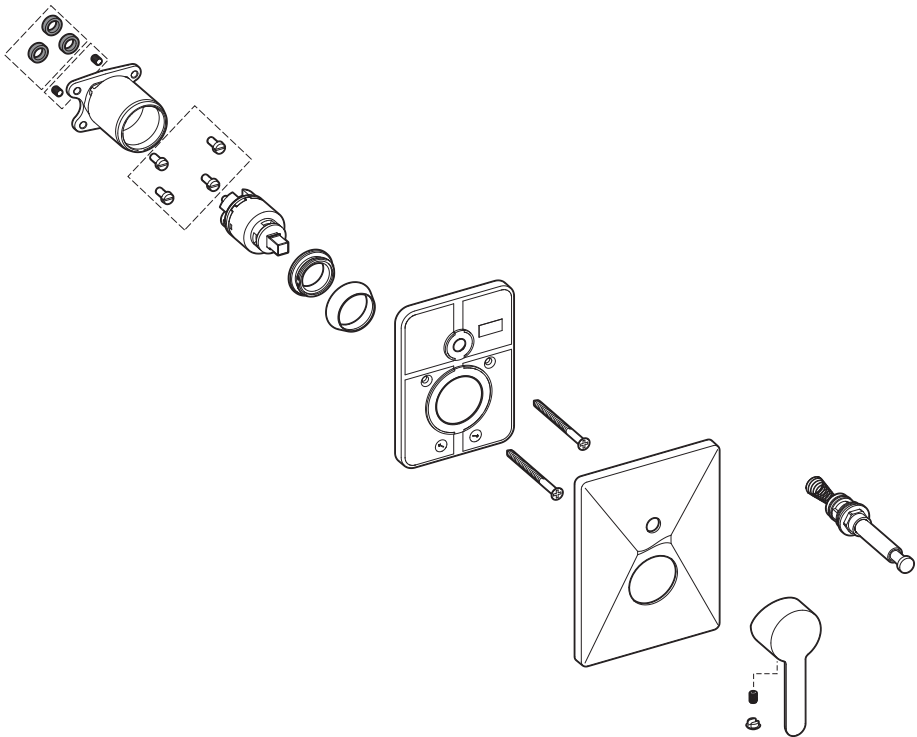
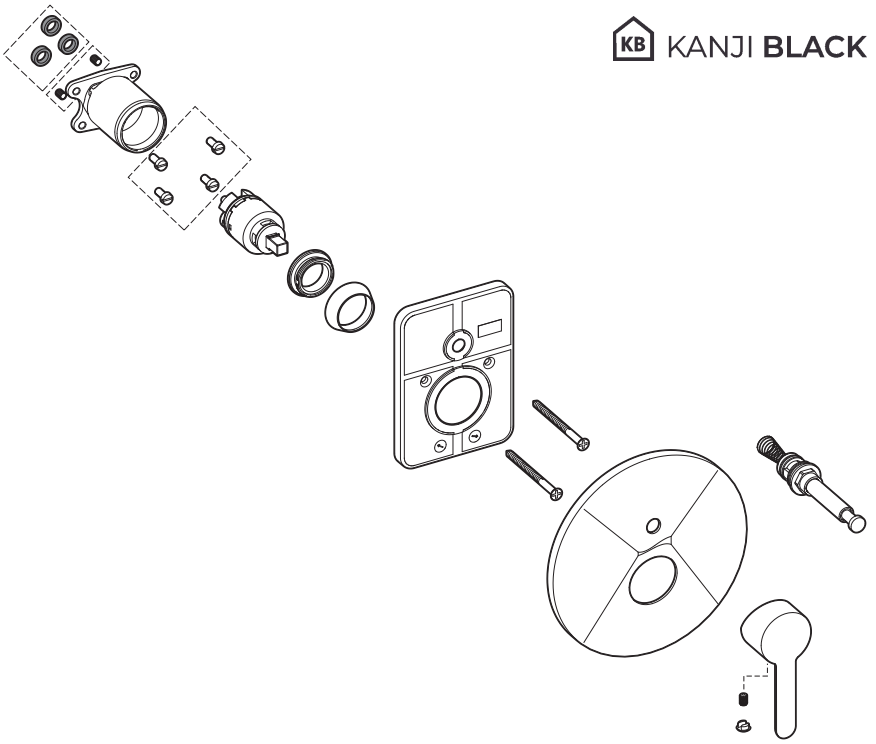


KB KANJI BLACK

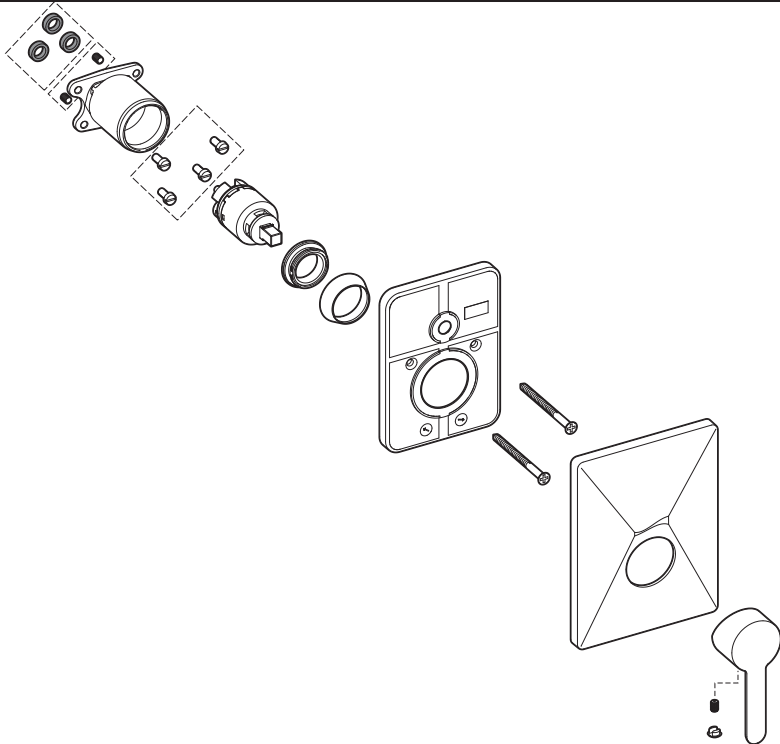
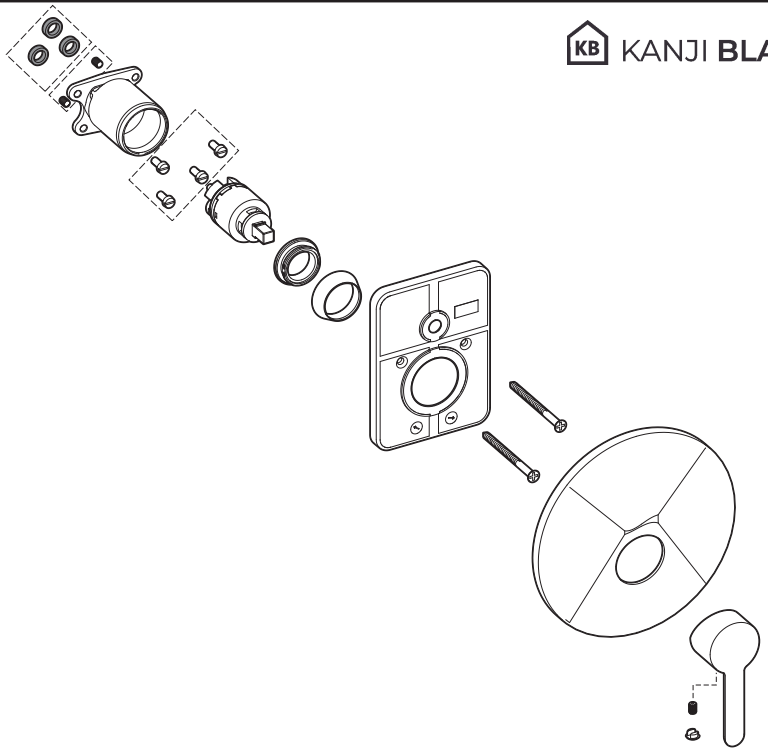


6







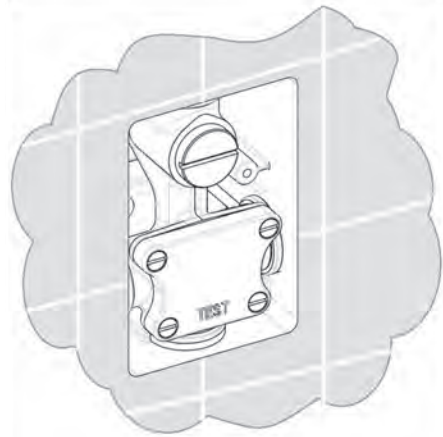


9

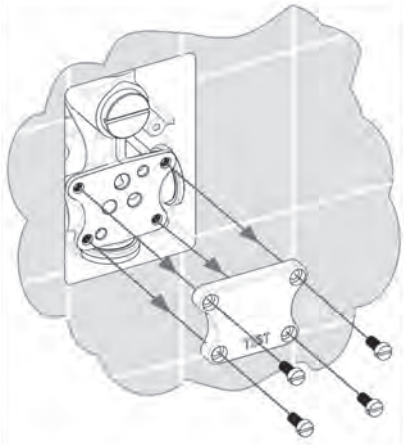
1



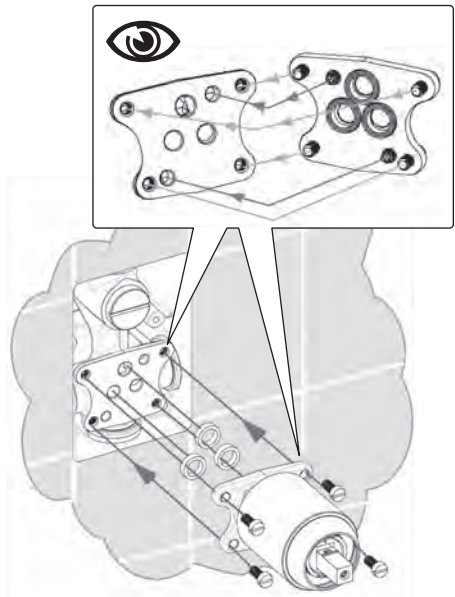
2



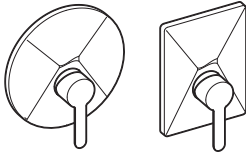
3



4

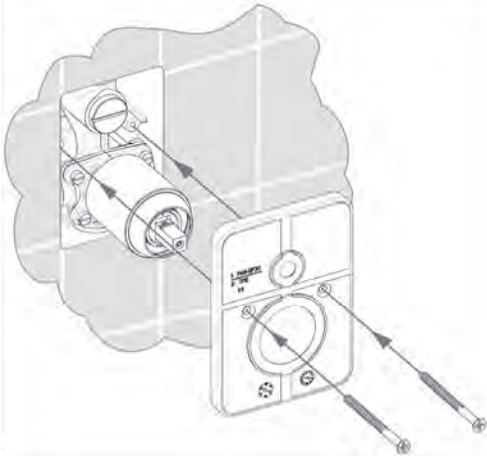


10

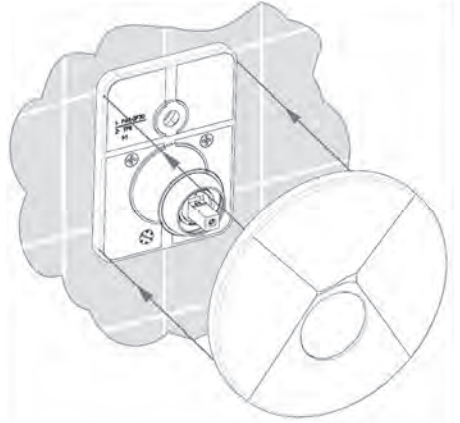


KB KANJI BLACK

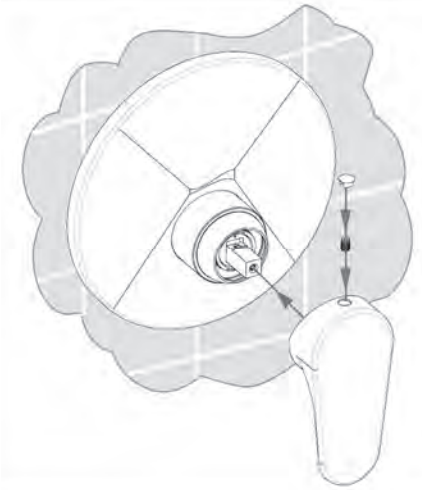
1



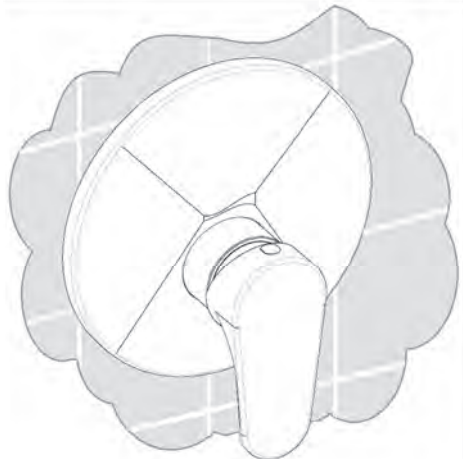
2



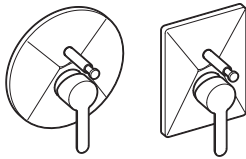
3



4

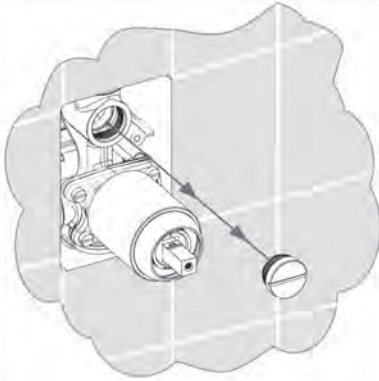


11

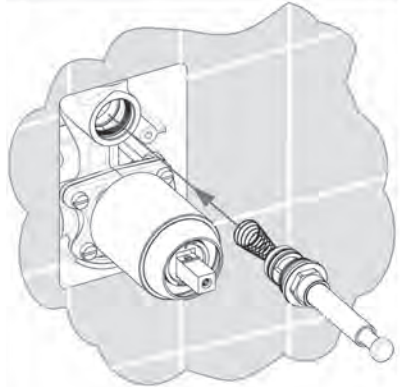


KB KANJI BLACK

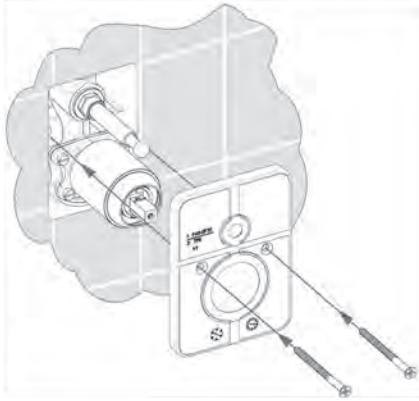
1



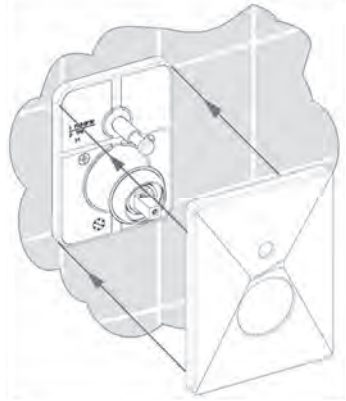
2



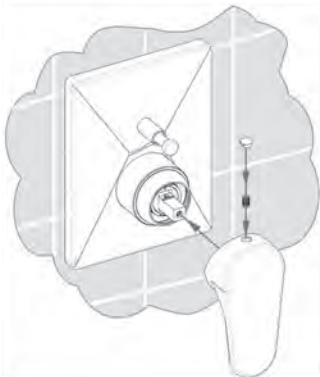
3



4

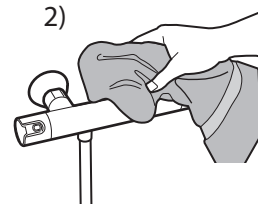
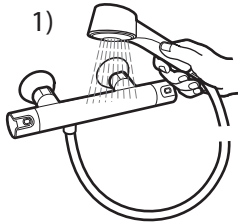
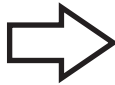
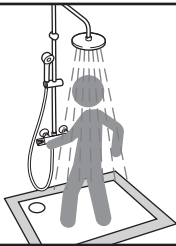
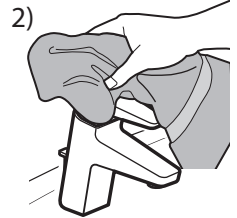
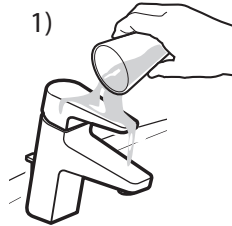
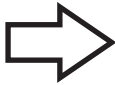
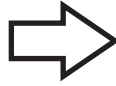
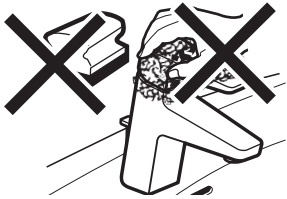
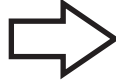
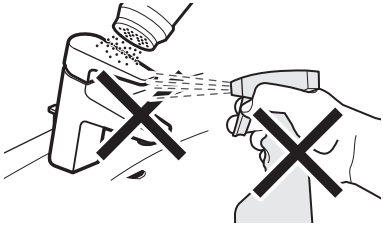
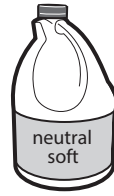
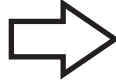


3



4





13

